

FPP MAXI BLEND

“POLYMER MIXING SYSTEM”

Model FPPMBP10-2.5pp

Dilution Water Capacity:
0 – 10 gpm
Neat Polymer Capacity:
2.5 gph (60 gpd)

Model FPPMBS20-4pp

Dilution Water Capacity:
0 – 20 gpm
Neat Polymer Capacity:
4.0 gph (96 gpd)

Model FPPMBS20-8pp

Dilution Water Capacity:
0 – 20 gpm
Neat Polymer Capacity:
8.0 gph (192 gpd)

Model FPPMBS40-12pp

Dilution Water Capacity:
0 – 40 gpm
Neat Polymer Capacity:
12.0 gph (288 gpd)



The FPP MAXI BLEND is available in sizes from 0.02 to 20.0 GPH neat polymer.

Smaller models employ a diaphragm injection pump. Larger models mount a hose pump or progressive cavity pump.

Every size FPP MAXI BLEND can be equipped for post dilution.

FPP MAXI BLEND Only requires a small footprint of 3' x 3' for all models

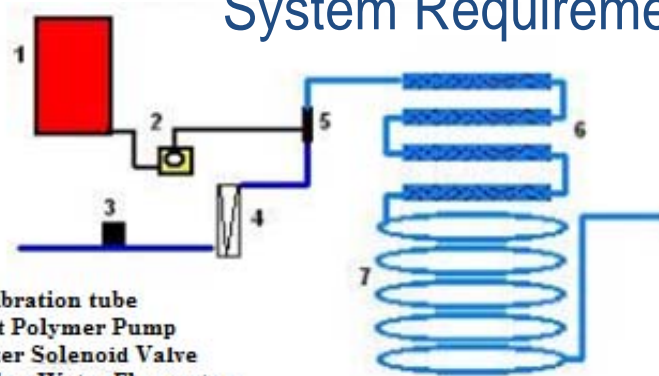


Accessories available include extended aging vessel and mounting stands

FPP MAXI BLEND



System Requirements



- 1] Calibration tube
- 2] Neat Polymer Pump
- 3] Water Solenoid Valve
- 4] Mixing Water Flowmeter
- 5] Mixing Tee
- 6] Static Mixers
- 7] Mixing and Homogenization Section

Features and Benefits

The FPP MAXI BLEND is an accurate, compact system for producing a completely made down solution from any type of liquid polymer.

The FPP MAXI BLEND Intelligent Controller, the most advanced micro-processor based unit available on any chemical mixing and injection system, provides precise control of the polymer solution concentration.

The FPP MAXI BLEND is constructed of corrosion resistant materials.

The simplified design of the mixing process reduces the number of moving parts required, reducing total maintenance.

The integral calibration tube provides flooded suction to the polymer pump eliminating priming problems helps for precise polymer usage.

Manufacturer:



Fergus Power Products, Inc.
24978 225th Street
Fergus Falls, MN 56537

sales@ferguspowerproducts.com
www.ferguspowerproducts.com

Phone: (218) 736-6772 Fax: (218) 736-7115



scan to read more
about our products